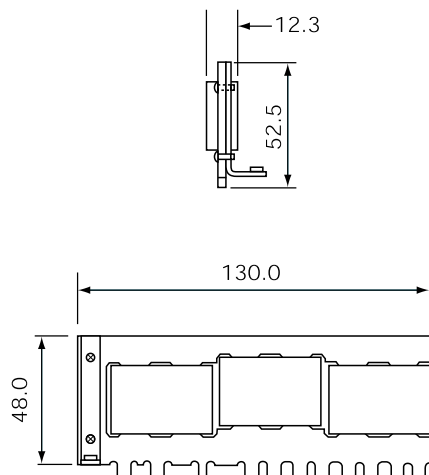


fast response
reliability
advanced technology
high quality

Transformer 105001

Output power	280 W	Switching frequency	300 kHz
Topology	Full Bridge ZVS current doubler	Insulation voltage	2kV rms
Supply voltage	32V to 60V	Ambient temperature	-10C to 55C
Outputs	5V to 56A	Dimensions (mm)	see drawing



105001



Planar Magnetics Ltd.
The Perry Centre
Waterwells Business Park
Quedgeley
Gloucestershire
GL2 4AD

Tel: +44 (0) 1452 726020
Fax: +44 (0) 1452 729477
Email: sales@planarmagnetics.com
Website: www.planarmagnetics.com